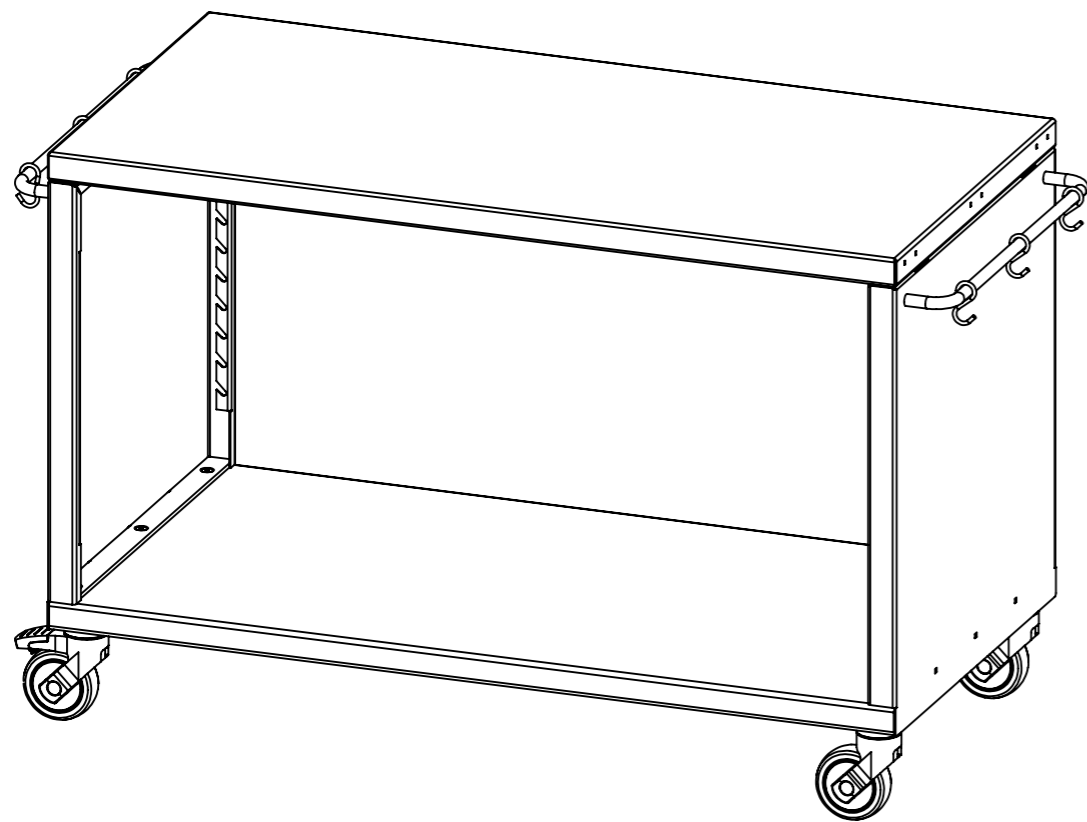
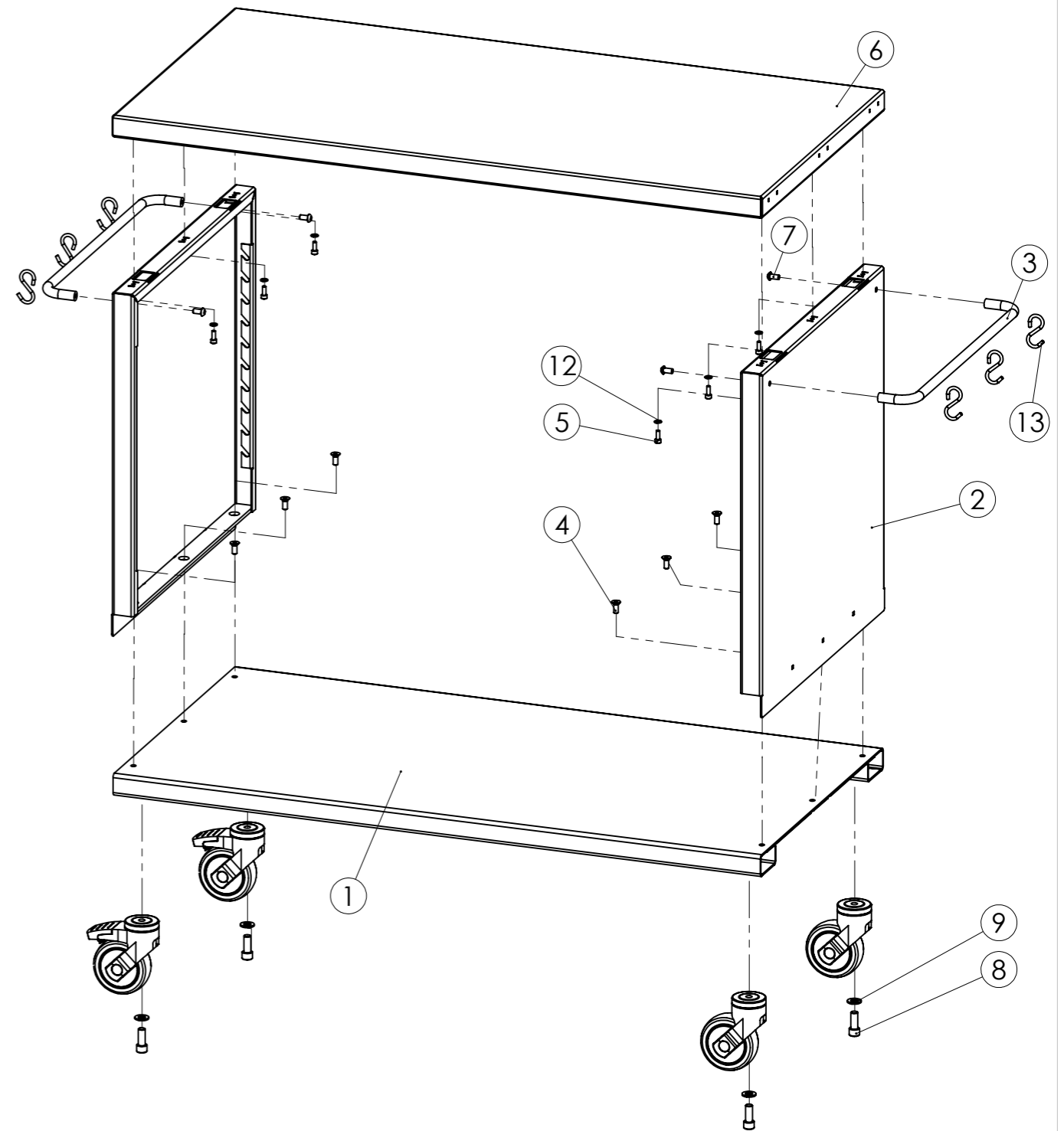



ITEM NO.	Drawing no.	Sparepart	Item no.	Description - DK	Description - ENG	QTY.
1	9001-422	X	71907500	Bundplade	Bottom plate	1
2	9001-410	X	71907200	Side plade	Side plate	2
3	9001-412	X	71907700	Håndtag f. sider	Handle f. sideplate	2
4	-	-	-	M8x20 - DIN 7991	M8x20 - DIN 7991	6
5	-	-	-	M6x16 - DIN 912	M6x16 - DIN 912	6
6	9001-420	X	71907300	Topplade	Top plate	1
7	-	-	-	M8x16 - ISO 7380	M8x16 - ISO 7380	4
8	-	-	-	M12x30 - DIN 912	M12x30 - DIN 912	4
9	-	-	-	A13 Plan skive - DIN 125	A13 Plain washer - DIN 125	4
10	-	X	71907100	Hjul uden bremse	Wheel without brake	2
11	-	X	71907000	Hjul med bremse	Wheel with brake	2
12	-	-	-	A6.4 Plan skive - DIN 125	A6.4 Plain washer - DIN 125	6
13	9001-019	X	57908500	Krog - Udeovn	Hook - Outdoor fireplace	6



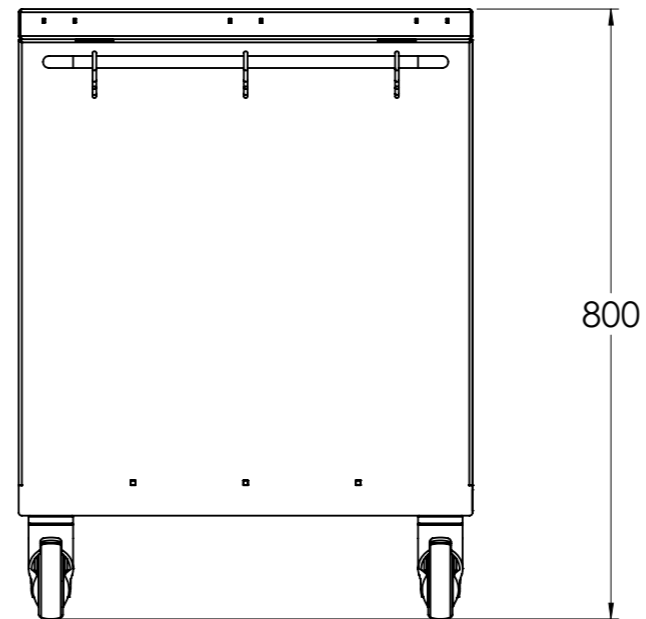
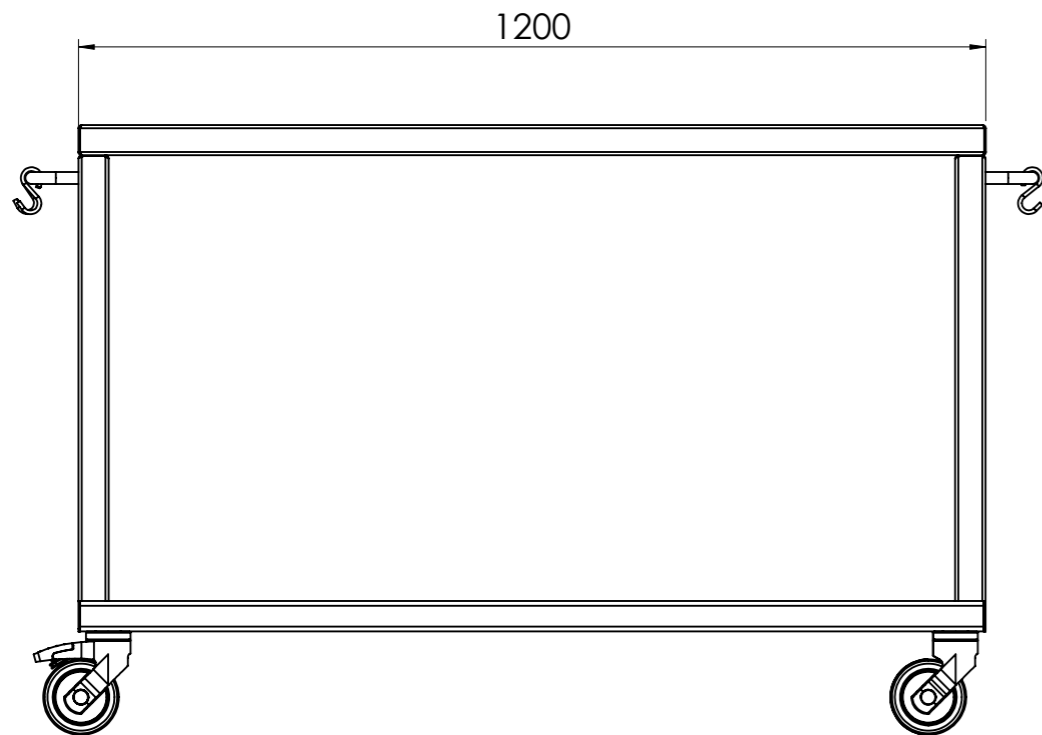
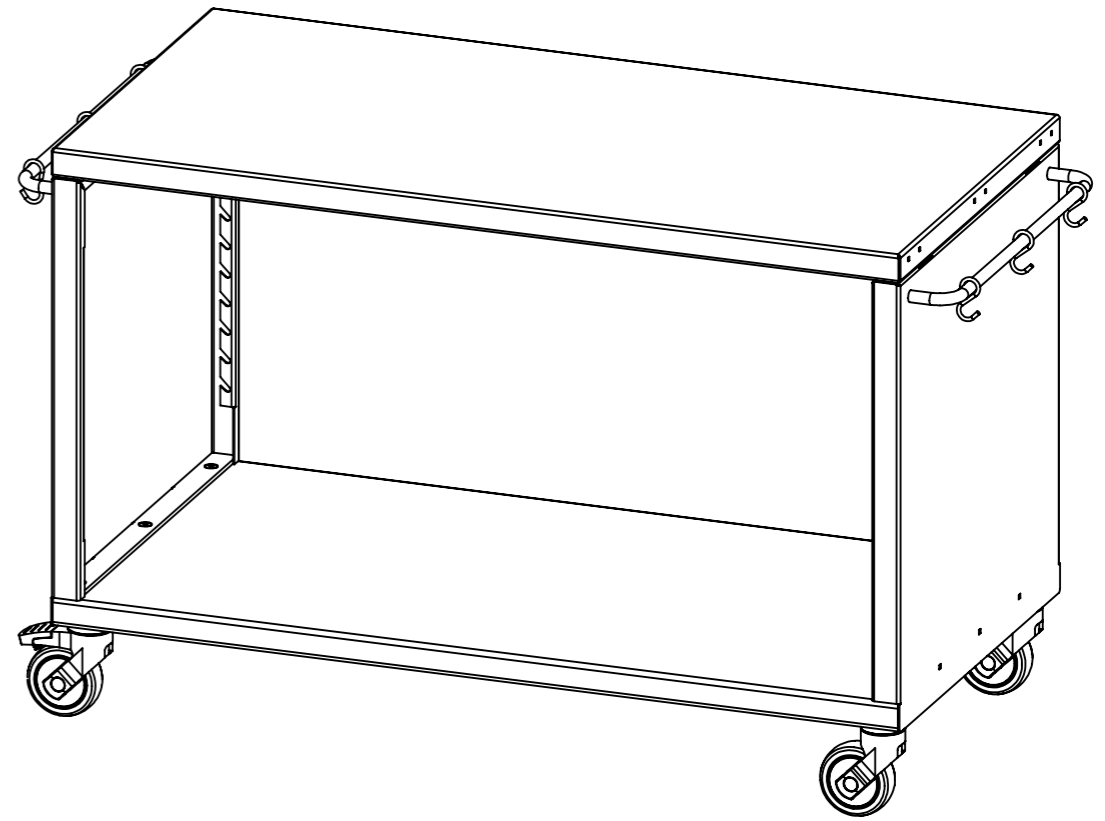
SURFACE POWDER COATED MAT BLACK RALL 9005



Rev.:	Description	Date	Sign.:
b	Added sparepart column	05-02-2021	NRN

Revisions		Sign.:	Date:
		LAH	09.09.2016
Title:		Construction:	
Large Outdoor table		Released:	
Morsø Living		Format: A3	
Material:		Scale: 1:10	
Weight kg: 71,84		Itemno.: 62982400	
Model no.:		Drawing no.:	
Drawingtype: Assembly drawing		9001-417 b	
Location of file:			

This drawing is Morsø Jernstøberi A/S' property and must not be sold, lended or copied without any written authorization from the company.



Date of print: 05-02-2021

Material:	
Weight kg:	71,84
Model no.:	
Drawingtype:	Assembly drawing
Location of file:	

Title:	Large Outdoor table Morsø Living

Construction:	LAH	Sign.:	LAH	Date:	09.09.2016
Released:					
Format:	A3				
Scale:	1:10				
Itemno.:	62982400				
Drawing no.:	9001-417 b				

This drawing is Morsø Jernstøberi A/S' property and must not be sold, lended or copied without any written authorization from the company.